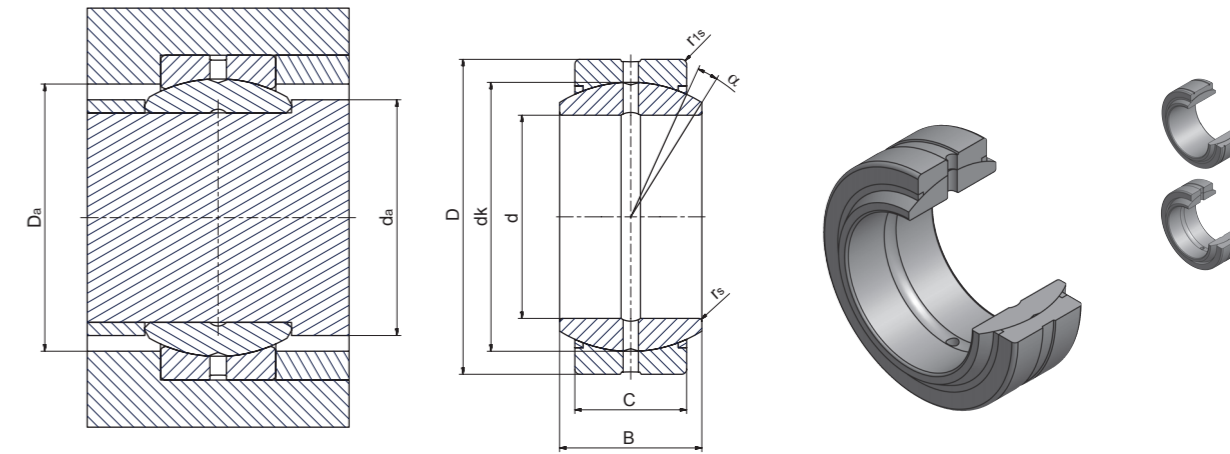


Radial-Gelenklager
Zollabmessungen
wartungspflichtig
Gleitpaarung: Stahl/Stahl

Radial spherical plain bearing
inch sizes
requiring maintenance
sliding surface: steel/steel

Serie/Series GEZ·ES
GEZ·ES-2RS
(GE·ZO, GEZ·ES)

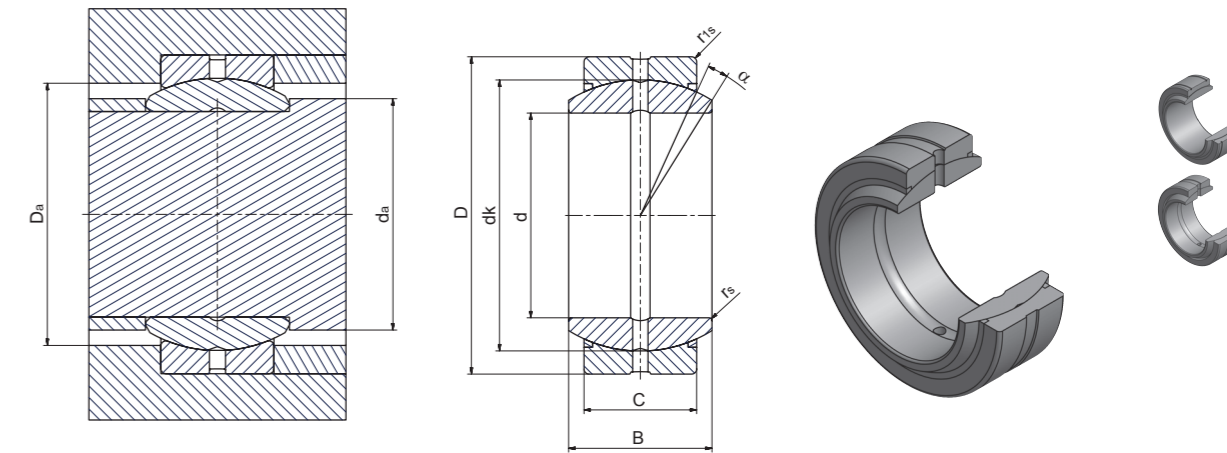


Bezeichnung/Designation		Abmessung/Dimensions mm					Kippwinkel/ tilting angle $\alpha \approx$	Kantenabstände/ Chamfer dimensions		Anschlussmaße/ Mounting dimensions		Tragzahlen/ Basic load ratings [kN]		Radiale Lagerluft/ Radial internal clearance	Gewicht/ Weight \approx kg	d
ohne Abdichtung/ without seals	mit Abdichtung/ with seals	d	D	B	C	dk		r_s min	r_{1s} min	$d_{a_{max}}$	$D_{a_{min}}$	Dyn./ Dynamic	Stat./ Static	CN		
GEZ12ES		12,700 -0.008	22,225 -0.009	11,100 -0.12	9,525 -0.24	18,0	6	0,15	0,6	14,5	17,3	13	41	0,050 - 0,150	0,022	12,700
		0,500"	0,875"	0,437"	0,375"	0,707"		0,006"	0,024"							0,500
GEZ15ES		15,875 -0.008	26,988 -0.009	13,894 -0.12	11,913 -0.24	23,0	6	0,15	0,6	18,1	21,7	22	65	0,050 - 0,150	0,036	15,875
		0,625"	1,062"	0,547"	0,469"	0,904		0,006"	0,024"							0,625
GEZ19ES	GEZ19ES-2RS	19,050 -0.010	31,750 -0.011	16,662 -0.12	14,275 -0.24	27,5	6	0,3	0,6	21,8	24,5	31	95	0,080 - 0,180	0,053	19,050
		0,750"	1,250"	0,656"	0,562"	1,081		0,012"	0,024"							0,750
GEZ22ES	GEZ22ES-2RS	22,225 -0.010	36,513 -0.011	19,431 -0.12	16,662 -0.24	32,0	6	0,3	0,6	25,4	28,5	42	127	0,080 - 0,180	0,085	22,225
		0,875"	1,437"	0,756"	0,656"	1,258		0,012"	0,024"							0,875
GEZ25ES	GEZ25ES-2RS	25,400 -0.010	41,275 -0.011	22,225 -0.12	19,050 -0.24	36,5	6	0,3	0,6	27,6	31,5	56	166	0,080 - 0,180	0,121	25,400
		1,000"	1,625"	0,875"	0,750"	1,437		0,012"	0,024"							1,000
GEZ31ES	GEZ31ES-2RS	31,750 -0.012	50,800 -0.013	27,762 -0.12	23,800 -0.30	45,5	6	0,6	0,6	36	40,5	86	260	0,080 - 0,180	0,230	31,750
		1,250"	2,000"	1,093"	0,937"	1,788		0,024"	0,024"							1,250
GEZ34ES	GEZ34ES-2RS	34,925 -0.012	55,563 -0.013	30,150 -0.12	26,187 -0.30	49,0	6	0,6	1	38,6	43,5	102	310	0,080 - 0,180	0,350	34,925
		1,375"	2,187"	1,187"	1,031"	1,926		0,024"	0,04"							1,375
GEZ38ES	GEZ38ES-2RS	38,100 -0.012	61,913 -0.013	33,325 -0.12	28,575 -0.30	54,7	6	0,6	1	41,2	46,5	125	375	0,080 - 0,180	0,420	38,100
		1,500"	2,437"	1,312"	1,125"	2,154		0,024"	0,04"							1,500
GEZ44ES	GEZ44ES-2RS	44,450 -0.012	71,438 -0.013	38,887 -0.12	33,325 -0.30	63,9	6	0,6	1	50,7	57	170	510	0,080 - 0,180	0,640	44,450
		1,750"	2,812"	1,531"	1,312"	2,511		0,024"	0,04"							1,750
GEZ50ES	GEZ50ES-2RS	50,800 -0.015	80,963 -0.015	44,500 -0.15	38,100 -0.40	73,0	6	0,6	1	57,9	65	224	670	0,080 - 0,180	0,930	50,800
		2,000"	3,187"	1,750"	1,500"	2,869		0,024"	0,04"							2,000
GEZ57ES	GEZ57ES-2RS	57,150 -0.015	90,488 -0.015	50,013 -0.15	42,850 -0.40	82,0	6	0,6	1	64,9	73	280	850	0,100 - 0,200	1,30	57,150
		2,250"	3,562"	1,969"	1,687"	3,223		0,024"	0,04"							2,250
GEZ63ES	GEZ63ES-2RS	63,500 -0.015	100,013 -0.015	55,500 -0.15	47,625 -0.40	92,0	6	1	1	73,3	82	355	1060	0,100 - 0,200	1,85	63,500
		2,500"	3,937"	2,187"	1,875"	3,616		0,04"	0,04"							2,500
GEZ69ES	GEZ69ES-2RS	69,850 -0.015	111,125 -0.015	61,112 -0.15	52,375 -0.40	100,0	6	1	1	79,1	89	415	1250	0,100 - 0,200	2,40	69,850
		2,750"	4,375"	2,406"	2,062"	3,937		0,04"	0,04"							2,750
GEZ76ES	GEZ76ES-2RS	76,200 -0.015	120,650 -0.018	66,675 -0.15	57,150 -0.50	109,5	6	1	1	86,8	98	500	1500	0,100 - 0,200	3,10	76,200
		3,000"	4,750"	2,625"	2,250"	4,303"		0,04"	0,04"							3,000
GEZ82ES	GEZ82ES-2RS	82,550 -0.020	130,175 -0.018	72,238 -0.20	61,900 -0.50	119,0	6	1	1	94,2	112,8	585	1760	0,130 - 0,230	3,80	82,550
		3,250"	5,125"	2,844"	2,437"	4,685"		0,04"	0,04"							3,250

Radial-Gelenklager
Zollabmessungen
wartungspflichtig
Gleitpaarung: Stahl/Stahl

Radial spherical plain bearing
inch sizes
requiring maintenance
sliding surface: steel/steel

Serie/Series GEZ..ES
GEZ..ES-2RS
(GE..ZO-2RS, GEZ..ES-2RS)



Bezeichnung/Designation		Abmessung/Dimensions mm					Kippwinkel/ tilting angle $\alpha^\circ \approx$	Kantenabstände/ Chamfer dimensions		Anschlussmaße/ Mounting dimensions		Tragzahlen/ Basic load ratings [kN]		Radiale Lagerluft/ Radial internal clearance	Gewicht/ Weight \approx kg	d
ohne Abdichtung/ without seals	mit Abdichtung/ with seals	d	D	B	C	dk		$r_{s \min}$	$r_{1s \min}$	$d_{a \max}$	$D_{a \min}$	Dyn./ Dynamic	Stat./ Static	CN		
GEZ88ES	GEZ88ES-2RS	88,900 -0.020	139,700 -0.018	77,775 -0.20	66,675 -0.50	128,0	6	1	1	101,7	121,6	680	2040	0,130 - 0,230	4,80	88,900
		3,500"	5,500"	3,062"	2,625"	5,040"		0,04"	0,04"							3,500
GEZ95ES	GEZ95ES-2RS	95,250 -0.020	149,225 -0.018	83,337 -0.20	71,425 -0.50	137,0	6	1	1	108,6	130,1	780	2360	0,130 - 0,230	5,80	95,250
		3,750"	5,875"	3,281"	2,812"	5,393"		0,04"	0,04"							3,750
GEZ101ES	GEZ101ES-2RS	101,600 -0.020	158,750 -0.025	88,900 -0.20	76,200 -0.50	146,0	6	1	1	115,5	139	900	2650	0,130 - 0,230	7,00	101,600
		4,000"	6,250"	3,500"	3,000"	5,748"		0,04"	0,04"							4,000
GEZ107ES	GEZ107ES-2RS	107,950 -0.020	168,275 -0.025	94,463 -0.20	80,950 -0.50	155,0	6	1	1	121,8	145	1000	3000	0,130 - 0,230	8,41	107,950
		4,250"	6,625"	3,719"	3,187"	6,102"		0,04"	0,04"							4,250
GEZ114ES	GEZ114ES-2RS	114,300 -0.020	177,800 -0.025	100,013 -0.20	85,725 -0.50	164,5	6	1	1	130,5	156,5	1120	3400	0,130 - 0,230	9,80	114,300
		4,500"	7,000"	3,937"	3,375"	6,476"		0,04"	0,04"							4,500
GEZ120ES	GEZ120ES-2RS	120,650 -0.020	187,325 -0.030	105,562 -0.25	90,475 -0.60	173,5	6	1	1	137,5	165	1250	3750	0,130 - 0,230	11,50	120,650
		4,750"	7,375"	4,156"	3,562"	6,830"		0,04"	0,04"							4,750
GEZ127ES	GEZ127ES-2RS	127,000 -0.025	196,850 -0.030	111,125 -0.25	95,250 -0.60	183,0	6	1	1	144,5	173,5	1400	4150	0,130 - 0,230	13,50	127,000
		5,000"	7,750"	4,375"	3,750"	7,204"		0,04"	0,04"							5,000
GEZ152ES	GEZ152ES-2RS	152,400 -0.025	222,250 -0.030	120,650 -0.25	104,775 -0.60	207,0	5	1	1	168	197	1730	5200	0,130 - 0,230	17,50	152,400
		6,000"	8,750"	4,750"	4,125"	8,150"		0,04"	0,04"							6,000

Wartungsfreie Ausführung auf Anfrage

Maintenance free design on request