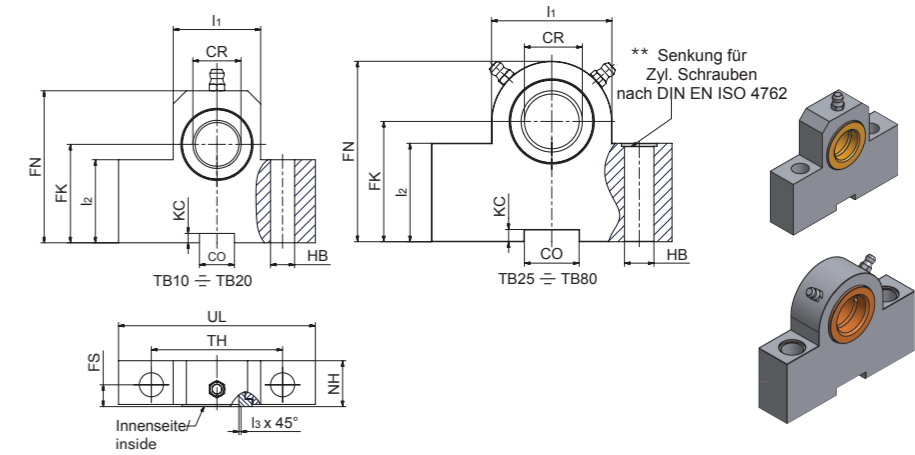


**Schwenzapfen-Lagerböcke**

ISO 8132  
Material: Lagerbock St 52-3  
Buchse RG7

**Trunnion bracket**

ISO 8132  
material: Bracket St 52-3  
Bushing RG7



**Serie/Series TB\*\***

| Bezeichnung/<br>Designation | Nennkraft/<br>Nominal force [kN] | für Kolben-Ø, Kolbenst.-Ø<br>piston-Ø, rod-Ø |                                      |                                     | Abmessung/Dimensions mm |            |           |        |        |            |           |          |            |            |     |     |     |       | Gewicht/<br>Weight<br>≈ kg* |
|-----------------------------|----------------------------------|--|--------------------------------------|-------------------------------------|-------------------------|------------|-----------|--------|--------|------------|-----------|----------|------------|------------|-----|-----|-----|-------|-----------------------------|
|                             |                                  | 100 bar                                      | 160 bar                              | 250 bar                             | CR<br>H7                | FK<br>JS12 | FN<br>max | HB H13 | NH max | TH<br>js14 | UL<br>max | CO<br>N9 | KC<br>+0,3 | FS<br>js14 | l1  | l2  | l3  |       |                             |
| TB12                        | 8                                | 32/14  | 25   <sup>14</sup> / <sub>18</sub>   |                                     | 12                      | 34         | 49        | 9      | 17     | 40         | 63        | 10       | 3,3        | 8          | 25  | 25  | 1,0 | 0,410 |                             |
| TB16                        | 12,5                             | 40/18  | 32   <sup>18</sup> / <sub>22</sub>   |                                     | 16                      | 40         | 59        | 11     | 21     | 50         | 80        | 16       | 4,3        | 10         | 30  | 30  | 1,0 | 0,830 |                             |
| TB20                        | 20                               | 50/22  | 40   <sup>22</sup> / <sub>28</sub>   |                                     | 20                      | 45         | 69        | 11     | 21     | 60         | 90        | 16       | 4,3        | 10         | 40  | 38  | 1,5 | 1,21  |                             |
| TB25                        | 32                               | 63/28  | 50   <sup>28</sup> / <sub>36</sub>   | 40   <sup>25</sup> / <sub>28</sub>  | 25                      | 55         | 80        | 13,5   | 26     | 80         | 110       | 25       | 5,4        | 12         | 56  | 45  | 1,5 | 2,11  |                             |
| TB32                        | 50                               | 80/36  | 63   <sup>36</sup> / <sub>45</sub>   | 50   <sup>32</sup> / <sub>36</sub>  | 32                      | 65         | 100       | 17,5   | 33     | 110        | 150       | 25       | 5,4        | 15         | 70  | 52  | 2,0 | 4,54  |                             |
| TB40                        | 80                               | 100/45                                       | 80   <sup>45</sup> / <sub>56</sub>   | 63   <sup>40</sup> / <sub>45</sub>  | 40                      | 76         | 120       | 22     | 41     | 125        | 170       | 36       | 8,4        | 16         | 88  | 60  | 2,5 | 7,30  |                             |
| TB50                        | 125                              | 125/56                                       | 100   <sup>56</sup> / <sub>70</sub>  | 80   <sup>50</sup> / <sub>56</sub>  | 50                      | 95         | 140       | 26     | 51     | 160        | 210       | 36       | 8,4        | 20         | 100 | 75  | 2,5 | 13,40 |                             |
| TB63                        | 200                              | 160/70                                       | 125   <sup>70</sup> / <sub>90</sub>  | 100   <sup>63</sup> / <sub>70</sub> | 63                      | 112        | 177       | 33     | 61     | 200        | 265       | 50       | 11,4       | 25         | 130 | 85  | 3,0 | 25,08 |                             |
| TB80                        | 320                              | 200/90                                       | 160   <sup>90</sup> / <sub>110</sub> | 125   <sup>80</sup> / <sub>90</sub> | 80                      | 140        | 220       | 39     | 81     | 250        | 325       | 50       | 11,4       | 31         | 160 | 112 | 3,5 | 52,24 |                             |

\*Gewicht für 1 Paar = 2 Stück  
TB100, TB110 und TB125: Lieferung auf Anfrage möglich.

\*weight for 1 pair = 2 pieces  
\*\*counterbore for socket screw  
TB100, TB110 and TB125 available on request