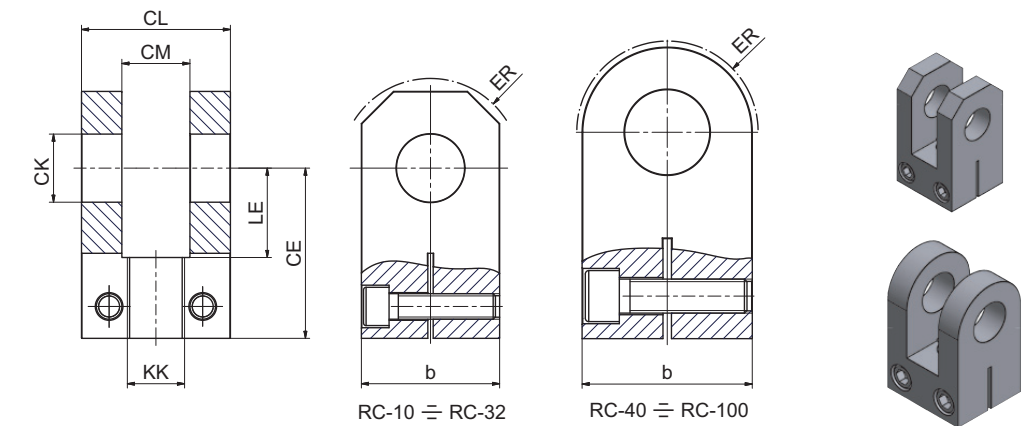


Gabelköpfe
ISO 8132
Material: St 52-3

Rod clevis
ISO 8132
material: St 52-3



Serie/Series RC

| Bezeichnung/ Designation | Nennkraft/ Nominal force [kN] | für Kolben-Ø, Kolbenst.-Ø piston-Ø, rod-Ø | | | Abmessungen / Dimensions mm | | | | | | | | | | Schraube / screw DIN EN ISO 4762-10.9 | Gewicht/ Weight ≈ kg |
|-----------------------------|----------------------------------|--|---------------------------------------|---------------------------------------|-----------------------------|--------|--------|---------|----------|--------|--------|-------|---------|-------|--|----------------------------|
| | | 100 bar | 160 bar | 250 bar | CK H9 | CL h16 | CM A12 | CE js12 | KK | LE min | ER max | b max | | | | |
| RC10 | 5 | 25/12 | | | 10 | 24 | 10 | 37 | M10x1,25 | 18 | 11 | 20 | M3x12 | 0,100 | | |
| RC12 | 8 | 32/14 | 25 ¹⁴ / ₁₈ | | 12 | 28 | 12 | 38 | M12x1,25 | 18 | 16 | 25 | M4x16 | 0,150 | | |
| RC16 | 12,5 | 40/18 | 32 ¹⁸ / ₂₂ | | 16 | 36 | 16 | 44 | M14x1,5 | 22 | 20 | 30 | M6x20 | 0,270 | | |
| RC20 | 20 | 50/22 | 40 ²² / ₂₈ | | 20 | 45 | 20 | 52 | M16x1,5 | 27 | 25 | 40 | M8x30 | 0,560 | | |
| RC25 | 32 | 63/28 | 50 ²⁸ / ₃₆ | 40 ²⁵ / ₂₈ | 25 | 56 | 25 | 65 | M20x1,5 | 34 | 32 | 50 | M10x35 | 1,11 | | |
| RC32 | 50 | 80/36 | 63 ³⁶ / ₄₅ | 50 ³² / ₃₆ | 32 | 70 | 32 | 80 | M27x2 | 42 | 40 | 65 | M12x40 | 2,24 | | |
| RC40 | 80 | 100/45 | 80 ⁴⁵ / ₅₆ | 63 ⁴⁰ / ₄₅ | 40 | 90 | 40 | 97 | M33x2 | 52 | 50 | 80 | M16x50 | 4,11 | | |
| RC50 | 125 | 125/56 | 100 ⁵⁶ / ₇₀ | 80 ⁵⁰ / ₅₆ | 50 | 110 | 50 | 120 | M42x2 | 64 | 63 | 100 | M20x60 | 7,60 | | |
| RC63 | 200 | 160/70 | 125 ⁷⁰ / ₉₀ | 100 ⁶³ / ₇₀ | 63 | 140 | 63 | 140 | M48x2 | 75 | 71 | 140 | M24x80 | 17,70 | | |
| RC70* | 250 | 180/80 | 140 ⁸⁰ / ₁₀₀ | 110 ⁷⁰ / ₈₀ | 70 | 150 | 70 | 160 | M56x2 | 90 | 80 | 160 | M24x90 | 25,66 | | |
| RC80 | 320 | 200/90 | 160 ⁹⁰ / ₁₁₀ | 125 ⁸⁰ / ₉₀ | 80 | 170 | 80 | 180 | M64x3 | 94 | 90 | 180 | M30x100 | 30,60 | | |
| RC90* | 400 | | 180 ¹⁰⁰ / ₁₂₅ | 140 ⁹⁰ / ₁₀₀ | 90 | 190 | 90 | 195 | M72x3 | 108 | 100 | 200 | M36x120 | 47,70 | | |
| RC100* | 500 | | 200 ¹¹⁰ / ₁₄₀ | 160 ¹⁰⁰ / ₁₁₀ | 100 | 210 | 100 | 210 | M80x3 | 120 | 110 | 220 | M36x130 | 61,34 | | |

*nicht genormte Zwischengrößen

*not standardised sizes

